

February 4, 2026

Notice of Organizational Changes, Personnel Changes

Toyota Tsusho Corporation (head office: Nagoya City; President & CEO: Toshimitsu Imai) announces the following changes to organizational, and personnel changes effective April 1, 2026.

I . Organizational changes

1. Organizational changes of SBU (SBU : Strategic Business Unit) (As of April 1)
2. Organizational changes of Overseas Regions/Areas (As of April 1)
3. Department changes (As of April 1)

II . Personnel changes

1. Senior Executive Officers (as of April 1)
2. Executive Officers (as of April 1)
3. Retiring Senior Executive Officers/Executive Officers (on March 31)
4. General Managers et al. (as of April 1)

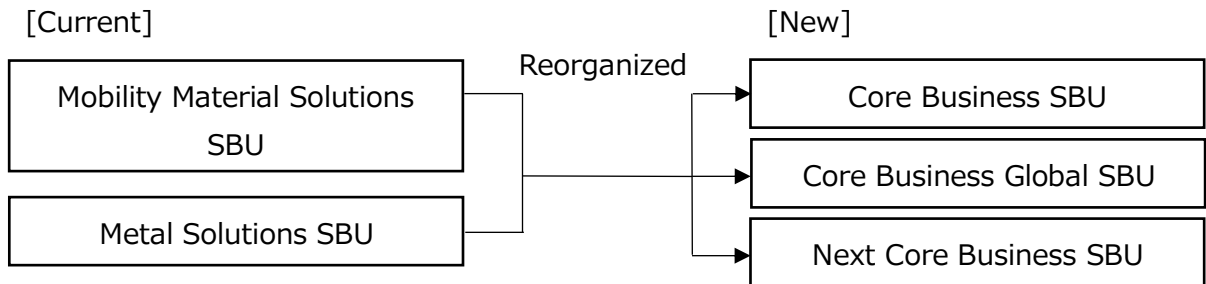
III . Execution System (Senior Executive Officers) (As of April 1)

I. Organizational changes

1. Organizational changes of SBU (SBU : Strategic Business Unit) (As of April 1) (shows changes only)

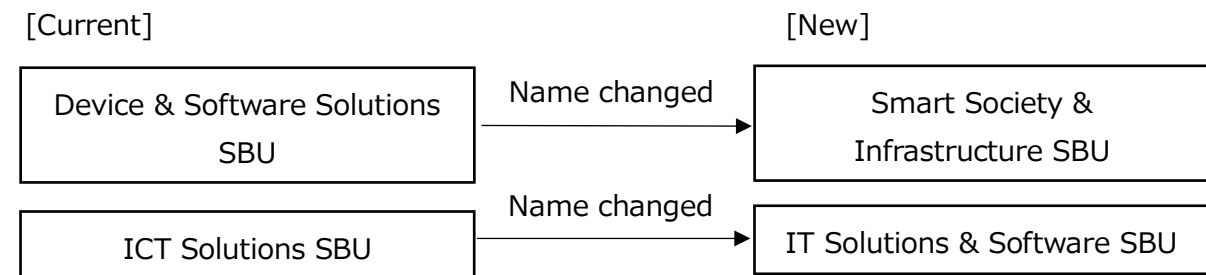
(1) Metal+(Plus) Division

Reorganized



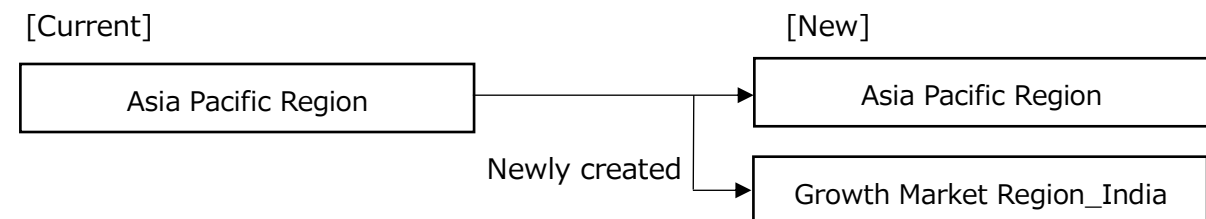
(2) Digital Solutions Division

Name changed

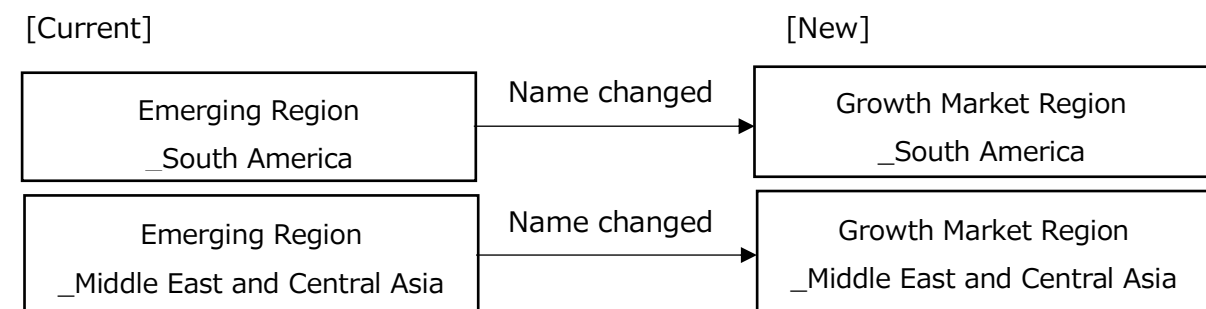


2. Organizational changes of Overseas Regions/Areas (As of April 1) (shows changes only)

Newly created



Name changed



3. Department changes (As of April 1)

Reorganized departments & name changes (shows changes only)

(1) Metal+(Plus) Division

Current SBU	Current Department Name	New SBU	New Department Name	Change
Mobility Material Solutions SBU	Mobility Material Business Department	Core Business SBU	Mobility Material Business Department	Reorganized
	Mobility Material Global Business Department		Steel Products Supply Chain Business Department	Reorganized
	Mobility Material Business Management Department		Bar, Wire Rod & Pipe Products Business Department	Reorganized
Metal Solutions SBU	Bar, Wire Rod & Pipe Products Business Department	Core Business Global SBU	ASEAN & East Asia Business Management Department	Reorganized
	Steel Products Supply Chain Business Department		Americas, Europe & Global South Business Management Department	Reorganized
	Metal Products Business Department	Next Core Business SBU	Green Industry Business Department	Reorganized
	West-Japan Bar, Wire Rod & Pipe Products Business Department		Green Material Business Department	Reorganized

(2) Circular Economy Division

Current SBU	Current Department Name	New SBU	New Department Name	Change
Resources Recycling SBU	High Performance Materials Department	Sustainable Materials SBU	High Performance Materials Department	Reorganized
Sustainable Materials SBU	Sustainable Plastics Department		Sustainable Chemicals Department	Reorganized
	Consumer Products Business Department		Sustainable Materials Business Department	Sustainable Materials Business Department
Essential Chemicals Department				

(3) Supply Chain Division

Current SBU	Current Department Name	New SBU	New Department Name	Change
Logistics & Module SBU	Module Business Department	Logistics & Module SBU	Module & Process Solutions Business Department	Name changed

(4) Digital Solutions Division

Current SBU	Current Department Name	New SBU	New Department Name	Change
Device & Software Solutions SBU	Software Defined Vehicle Department	Smart Society & Infrastructure SBU	Digital Infrastructure Department	Reorganized
	Advanced Mobility Service Department		Smart Society Department	Name changed
ICT Solutions SBU	Enterprise IT Department	IT Solutions & Software SBU	IT Solutions Department	Reorganized
	Digital Infrastructure Department		Software Defined Vehicle Department	Reorganized

(5) Administrative Unit

Current SBU	Current Department Name	New SBU	New Department Name	Change
—	Customer Strategy & Coordination Department	—	Customer & Regional Value Creation Department	Name changed
—	Next Mobility Development Department	—	Technology X Business Development Department	Name changed

II. Personnel Changes

1. Senior Executive Officers (As of April 1)

Senior Executive Officers (Changed only, 11people)

Name	New Position	New Field in Charge	Current Position	Current Field in Charge
Hideyuki Iwamoto	Executive Vice President, CFO	Assistant to President, Chief Officer Responsible for Global Strategy and Management	Executive Vice President, CFO, Regional CEO	Assistant to President, Chief Officer Responsible for Global Strategy and Management, Europe Region
Tatsuya Watanuki	Executive Vice President, Division CEO	Assistant to President, Chief Officer Responsible for Tokyo Head Office, Chief Officer Responsible for Japan Regional Strategy & Coordination, Digital Solutions Division	Executive Vice President, Division CEO	Assistant to President, Chief Officer Responsible for Japan Regional Strategy & Coordination, Lifestyle Division
Shigeru Harada	Division CEO, Regional CEO	Mobility Division, Growth Market Region (India, South America, Middle East and Central Asia)	Division CEO	Mobility Division
Takashi Hirobe	Regional CEO	North America, President & CEO of Toyota Tsusho America, Inc.	Division CEO	Metal+(Plus) Division
Eiji Matsuzaki	Regional CEO	Europe, President of Toyota Tsusho Europe S.A., President of Toyota Tsusho U.K. Ltd.	Division CEO	Digital Solutions Division
Kazuyuki Urata <Promoted>	Division CEO	Circular Economy Division	Division COO	Circular Economy Division E-Mobility Supply Chain SBU
Hiroshi Yonenaga <Promoted>	Regional CEO	Asia Pacific, President of Toyota Tsusho (Thailand) Co., Ltd., President of Toyota Tsusho Thai Holdings Co., Ltd.	Regional Officer	Emerging Regions (Middle East & Central Asia)

Name	New Position	New Field in Charge	Current Position	Current Field in Charge
Koji Minami <Promoted>	Division CEO	Lifestyle Division	Division COO, General Manager	Lifestyle Division Food & Agribusiness SBU, Food Materials Department
Hiomasa Ishi <Promoted>	Division CEO	Metal+(Plus) Division	Regional Officer, Company President	Europe Region, President of Toyota Tsusho Europe S.A., President of Toyota Tsusho U.K. Ltd.
Shigeo Obata <Promoted>	CSO	Officer Responsible for Japan Regional Strategy & Coordination, Officer Responsible for Global Strategy and Management	Deputy CSO	—
Yuji Makino <Promoted>	Division CEO	Green Infrastructure Division, Officer Responsible for Tokyo Head Office, Branch Manager of Toyota Branch	Division COO	Green Infrastructure Division Machinery & Infrastructure SBU, Branch Manager of Toyota Branch

CFO : Chief Financial Officer

CEO : Chief Executive Officer

COO : Chief Operating Officer

CSO : Chief Strategy Officer

2. Executive Officers (As of April 1)

Executive Officers (Changed only (does not include organizational changes) , 14people)

Name	New Position	New Field in Charge	Current Position	Current Field in Charge
Yuichi Kanazawa	Division COO, CTO	Supply Chain Division Global Parts SBU	Division COO	Supply Chain Division Global Parts SBU
Jun Karato	Division COO	Circular Economy Division E-Mobility Supply Chain SBU	CTO	—
Shinichiro Otsuka	Division COO, Regional Officer	Mobility Division Multi Brands SBU, Africa Division, Africa	Division COO, Regional Officer	Africa Division Mobility SBU, Africa Region, Mobility Division Multi Brands SBU
Nobuaki Yahiro	Regional Officer, Company President	Growth Market Region_India, President of Toyota Tsusho India Private Ltd.	Regional Officer, Company President	Asia Pacific Region, President of Toyota Tsusho India Private Ltd.
Shigeharu Kato	Division COO	Lifestyle Division Food & Agribusiness SBU	Regional Officer, Company President	Emerging Regions (South America), President of Toyota Tsusho Venezuela, C.A., President of C.I. Toyota Tsusho De Colombia S.A.S, Chairman & CEO of NovaAgri
Hiroshi Yanagisawa	Division COO	Metal+(Plus) Division Core Business SBU, Next Core Business SBU	Division COO	Metal+(Plus) Division Metal Solutions SBU
Yuko Kondo	CCAO	—	Deputy CFO	—
Ayako Koizumi	CHRO	—	Deputy CHRO	—

Name	New Position	New Field in Charge	Current Position	Current Field in Charge
Ryoji Fujita <New>	Division COO, Regional Officer	Africa Division Mobility SBU, Africa	General Manager	Africa Division Toyota Africa Mobility Department
Masanori Shibata <New>	Division COO	Lifestyle Division Wellness SBU	General Manager	Lifestyle Division Lifestyle Planning Department
Mitsuru Yanase <New>	Division COO	Green Infrastructure Division, Executive Vice President of Eurus Energy Holdings Corporation	—	Eurus Energy Holdings Corporation
Toshihiko Muroi <New>	Division COO	Circular Economy Division Resources Recycling SBU	General Manager	Circular Economy Division Reverse Supply Chain Business Department
Kazutaka Kuromiya <New>	Company President, Regional Officer	Chairman & CEO of NovaAgri, Growth Market Region_ South America, President of Toyota Tsusho Venezuela, C.A.	General Manager	Corporate Planning Department
Takamichi Kono <New>	Division COO	Digital Solutions Division IT Solutions & Software SBU	General Manager	Digital Solutions Division Software Defined Vehicle Department

COO : Chief Operating Officer

CTO : Chief Technology Officer

CEO : Chief Executive Officer

CCAO: Chief Compliance and Administration Officer

CFO : Chief Financial Officer

CHRO: Chief Human Resources Officer

3. Retiring Senior Executive Officers / Executive Officers (On March 31)

Retiring Senior Executive Officer (5 people)

Name	Current Position	Current Field in Charge
Hiroshi Tominaga	CSO, CHRO, Regional CEO	Chief Officer Responsible for Tokyo Head Office, Officer Responsible for Japan Regional Strategy & Coordination, Officer Responsible for Global Strategy and Management, Emerging Regions (South America)
Akihiro Sago	Division CEO	Circular Economy Division
Naoyuki Hata	Regional CEO	North America Region, President of Toyota Tsusho America, Inc.
Shigeki Maeda	Regional CEO	Asia Pacific Region, President of Toyota Tsusho (Thailand) Co., Ltd., President of Toyota Tsusho Thai Holdings Co., Ltd.
Kosuke Kunihiro	Division CEO, Regional CEO	Green Infrastructure Division, Emerging Regions (Middle East & Central Asia), Officer Responsible for Tokyo Head Office

Retiring Executive Officers (1 people)

Name	Current Position	Current Field in Charge
Haruyuki Hattori	Regional Officer	North America Region, Senior Vice President of Toyota Tsusho America, Inc.

4. General Managers et al. (as of April 1)

Changed only (does not include organizational changes), 49 people)

(1) Metal+(Plus) Division

New Organization	New Title	Name	Current Organization	Current Title
Metal+(Plus) Planning Department	General Manager	Naoki Sahashi	Toyota Tsusho India Private Limited	—
Mobility Material Business Department	General Manager	Hiroshi Fujita	Mobility Material Business Department	General Manager
Steel Products Supply Chain Business Department	General Manager	Satoshi Hashimoto	Steel Products Supply Chain Business Department	General Manager
Bar, Wire Rod & Pipe Products Business Department	General Manager	Yoshiyuki Tajiri	Bar, Wire Rod & Pipe Products Business Department	General Manager
ASEAN & East Asia Business Management Department	General Manager	Shinya Watanabe	Mobility Material Business Management Department	General Manager
Americas, Europe & Global South Business Management Department	General Manager	Shinji Hattori	Mobility Material Global Business Department	General Manager
Green Industry Business Department	General Manager	Ryota Oda	Toyota Tsusho America Inc.	—
Green Material Business Department	General Manager	Takashi Iida	Metal+(Plus) Planning Department Green Steel Business Development Group	General Manager

(2) Circular Economy Division

New Organization	New Title	Name	Current Organization	Current Title
Mineral Resources & Inorganic Chemicals Department	General Manager	Keiji Ishizaka	Mineral Resources & Inorganic Chemicals Department Iodine Business Development Group	Manager
E-Mobility Solution Business Department	General Manager	Hiroshi Ushino	Battery Supply Chain Business Department Battery Materials Group 1	Manager

New Organization	New Title	Name	Current Organization	Current Title
Reverse Supply Chain Business Department	General Manager	Masaru Akaishi	Reverse Supply Chain Business Department Metal Resource Recycling Group	Manager
Aluminum Supply Chain Business Department	General Manager	Kyosuke Ito	Aluminum Supply Chain Business Department Business Management Group	Manager
High Performance Materials Department	General Manager	Yasuhiro Fujii	High Performance Materials Department	General Manager
Sustainable Chemicals Department	General Manager	Toshihiko Maki	Sustainable Plastics Department	General Manager
Sustainable Materials Business Department	General Manager	Michihiro Tomotsugu	Consumer Products Business Department	General Manager

(3) Supply Chain Division

New Organization	New Title	Name	Current Organization	Current Title
Supply Chain Business Development Department	General Manager	Noriyuki Kato	Toyota Tsusho Europe S.A.	—
Mobility Parts Department	General Manager	Takayuki Arai	Toyota Tsusho (Tianjin) Co., Ltd.	President

(4) Mobility Division

New Organization	New Title	Name	Current Organization	Current Title
Logistics Solutions Department	General Manager	Yoshimitsu Ito	Logistics Solutions Department Business Development Group	Manager
Multi Brands Business Department	General Manager	Hiroyuki Itoh	Multi Brands Business Department Pacific, Asia, Middle East & Africa Group	Manager

(5) Green Infrastructure Division

New Organization	New Title	Name	Current Organization	Current Title
Green Infrastructure Planning Department	General Manager	Toru Kobayashi	Carbon Neutral Fuels Department	General Manager
Carbon Neutral Fuels Department	General Manager	Yukimune Mihara	P.T. Toyota Tsusho Indonesia	—

(6) Digital Solutions Division

New Organization	New Title	Name	Current Organization	Current Title
Digital Infrastructure Department	General Manager	Norihito Ohigashi	Enterprise IT Department Quantum Computer Business Group	Manager
IT Solutions Department	General Manager	Kazumi Mizukawa	Enterprise IT Department	General Manager
Software Defined Vehicle Department	General Manager	Yoshinori Matsuyama	Software Defined Vehicle Department Software Business Group	Manager

(7) Lifestyle Division

New Organization	New Title	Name	Current Organization	Current Title
Lifestyle Planning Department	General Manager	Toyoji Yamasaki	Business Accounting Department	General Manager
Agrisupplychain Department	General Manager	Keisuke Okada	Agrisupplychain Department Agrisupply Group	Manager
Food Materials Department	General Manager	Daisuke Tanaka	Agrisupplychain Department	General Manager

(8) Africa Division

New Organization	New Title	Name	Current Organization	Current Title
Toyota Africa Mobility Department	General Manager (Additional Post)	Ryoji Fujita	Toyota Africa Mobility Department	General Manager
Africa Power & Infrastructure Department	General Manager	Takahiro Miyamoto	CFAO	—

(9) Administrative Unit

New Organization	New Title	Name	Current Organization	Current Title
Global Logistics Management Department	General Manager	Ryosuke Katsuragi	Global Logistics Management Department Planning & Management Group	Manager
Corporate Planning Department	General Manager	Hidehiro Kitagawa	Corporate Planning Department Strategic Planning Group	Manager
Corporate Communications Department	General Manager	Kento Sugiura	Next Technology Fund Department	General Manager
General Affairs Department	General Manager	Naoki Ando	Toyota Tsusho Philippines Corporation	President
Accounting Department	General Manager	Yoshifumi Hoshino	Accounting Department Corporate Tax Group	Manager
Business Accounting Department	General Manager	Jun Sato	Accounting Department Consolidated Accounting Group	Manager
Technology X Business Development Department	General Manager	Takahiro Arai	Next Mobility Development Department	General Manager
Next Technology Fund Department	General Manager (Additional Post)			

New Organization	New Title	Name	Current Organization	Current Title
Hamamatsu Branch	General Manager	Shigehiro Imai	Customer Strategy & Coordination Department Project Support Group	Manager
Shizuoka Office	Office Manager	Osamu Koyama	Customer Strategy & Coordination Department Project Support Group	—
Hiroshima Branch	General Manager	Iichiro Sadamoto	Supply Chain Business Development Department	General Manager
Shikoku Office	Office Manage	Hideyuki Ohasi	Karachi Liaison Office	General Manager

(1 0) East Asia

New Organization	New Title	Name	Current Organization	Current Title
Toyota Tsusho (Shanghai) Co., Ltd.	President	Makoto Iyoda	E-Mobility Solution Business Department	General Manager
Toyota Tsusho (Tianjin) Co., Ltd.	President	Yasuhiko Mitsutake	Mobility Parts Department	General Manager

(1 1) Asia Pacific

New Organization	New Title	Name	Current Organization	Current Title
Toyota Tsusho Philippines Corporation	President	Koji Katsumoto	Green Infrastructure Planning Department	General Manager
Manila Branch	General Manager (Additional Post)			
Toyota Tsusho Pakistan Ltd.	President	Yasutaka Yamazaki	Logistics Solutions Department	General Manager
Karachi Liaison Office	General Manager			
Lahore Liaison Office	General Manager (Additional Post)			

New Organization	New Title	Name	Current Organization	Current Title
Vientiane Liaison Office	General Manager	Kengo Suzuki	Hamamatsu Branch	General Manager
Phnom Penh Liaison Office	General Manager	Yasuhiro Miura	Mobility Planning Department Due Diligence Group	—

(1 2) Growth Market Region

New Organization	New Title	Name	Current Organization	Current Title
C.I. Toyota Tsusho de Colombia S.A.	President	Augusto Ghimenti	C.I. Toyota Tsusho de Colombia S.A.	—
Agencia en Chile	General Manager	Takeru Moriyama	Toyota Tsusho Argentina S.A.	—
Almaty Representative Office	General Manager	Takumi Tsuji	Hino Motors Kazakhstan LLP	—

III. Execution System (Senior Executive Officers) (As of April 1)

Position	Name	Field in Charge
President & CEO	Toshimitsu Imai	—
Executive Vice President, CFO	Hideyuki Iwamoto	Assistant to President, Chief Officer Responsible for Global Strategy and Management
Executive Vice President, Division CEO	Tatsuya Watanuki	Assistant to President, Chief Officer Responsible for Tokyo Head Office, Chief Officer Responsible for Japan Regional Strategy & Coordination, Digital Solutions Division
Division CEO, Regional CEO	Richard Bielle	Africa Division, Africa, Chairman & CEO of CFAO
Division CEO, Regional CEO	Shigeru Harada	Mobility Division, Growth Market Region (India, South America, Middle East and Central Asia)
Division CEO	Hiroki Nakayama	Supply Chain Division
Regional CEO	Akio Hamada	East Asia, Representative of East Asia Region, President of Toyota Tsusho (China) Co., Ltd.
Regional CEO	Takashi Hirobe	North America, President & CEO of Toyota Tsusho America, Inc.
Regional CEO	Eiji Matsuzaki	Europe, President of Toyota Tsusho Europe S.A., President of Toyota Tsusho U.K. Ltd.
Division CEO	Kazuyuki Urata	Circular Economy Division
Regional CEO	Hiroshi Yonenaga	Asia Pacific, President of Toyota Tsusho (Thailand) Co., Ltd., President of Toyota Tsusho Thai Holdings Co., Ltd.
Division CEO	Koji Minami	Lifestyle Division
Division CEO	Hiromasa Ishii	Metal+(Plus) Division
CSO	Shigeo Obata	Officer Responsible for Japan Regional Strategy & Coordination, Officer Responsible for Global Strategy and Management
Division CEO	Yuji Makino	Green Infrastructure Division, Officer Responsible for Tokyo Head Office, Branch Manager of Toyota Branch