

News

Release



Notice of Personnel Changes of Officers, Organizational Changes

2021-2-5

Toyota Tsusho Corporation (head office: Nagoya City; President & CEO: Ichiro Kashitani) announces the following changes to organizational, and personnel changes effective April 1, 2021.

I. Organizational changes

1. Organizational changes of business divisions (SBU)
2. Reorganization of departments

II. Personnel changes

1. Senior Executive Officers (as of April 1)
2. Executive Officers (as of April 1)
3. Retiring Senior Executive Officers/Executive Officers (on March 31)
4. General Managers et al. (as of April 1)

I . Organizational Changes

1. Organizational changes of business divisions (SBU)

※SBU : Strategic Business Unit

(1) Metals Division

No change

(2) Global Parts & Logistics Division

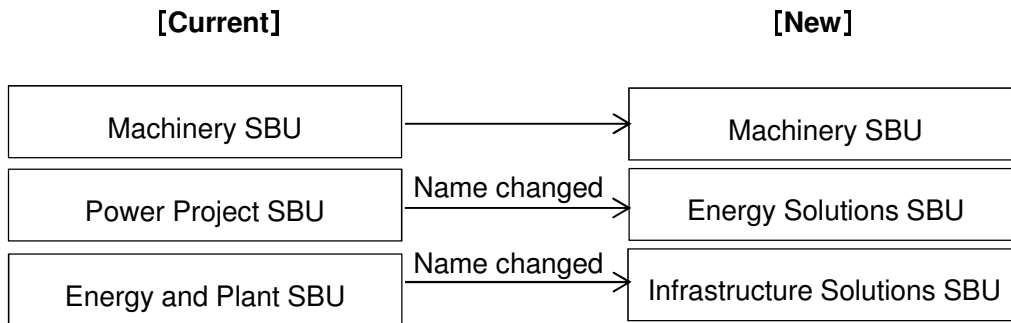
No change

(3) Automotive Division

No change

(4) Machinery, Energy & Project Division

Name changed



(5) Chemicals & Electronics Division

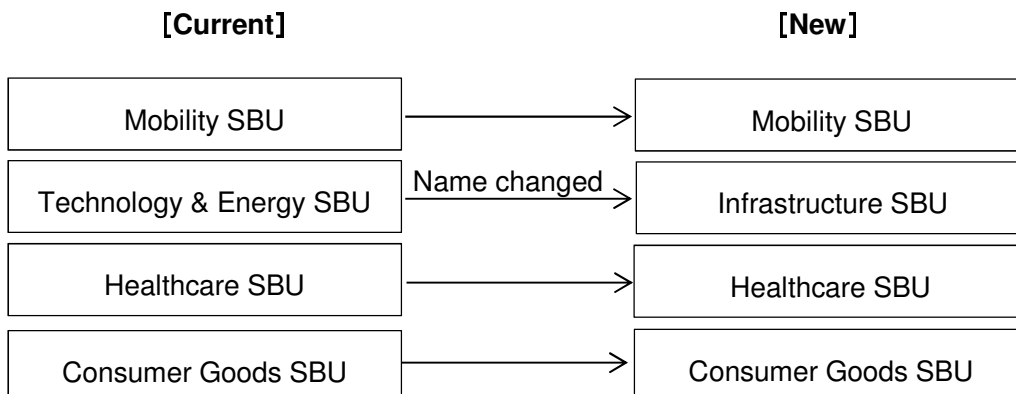
No change

(6) Food & Consumer Services Division

No change

(7) Africa Division

Name changed



2. Department Changes(As of April 1)

New departments, reorganized departments & name changes (shows changes only)

Division	New Department Name	Current Department Name	Change
Metals	Metal Products Business Department	Metal Products Trading Department	Name Changed
Global Parts & Logistics	Eastern Japan Global Parts Department	Global Parts Department 4	Name Changed
Machinery, Energy & Project	Energy Solutions Development Department	Power Solution Development Department	Reorganized/ Name Changed
	Infrastructure Solutions Development Department	Energy Solutions Department	
Chemicals & Electronics	Software First Department	Next Mobility Electronics Business Department	Reorganized/ Name Changed
	Connected Business Department		Reorganized
Food & Consumer Services	Agribusiness Department	Agribusiness Department 1	Reorganized/ Name Changed
		Agribusiness Department 2	
	Food Materials Department	Food Business Department	Reorganized/ Name Changed
	Food Marketing Department	Agriculture & Aquaculture Business Development Department	
	Medical Business Project Department	Life and Community Strategy Department	Reorganized/ Name Changed
	Food & Consumer Services Planning Department		Reorganized
Corporate	External Affairs Department	External Affairs Department	Reorganized
		China & East Asia Department	
	General Affairs Department	Enterprise Risk Management Department	Reorganized
	Investment and Credit Department		
	Legal Department		
Customer Strategy & Coordination Department	Regional Strategy & Coordination Department	Name Changed	

II . Personnel Changes

1. Senior Executive Officer (As of April 1)

Senior Executive Officer (Changed only (does not include department changes), 7 members)

Name	New Position	New Field in Charge	Current Position	Current Field in Charge
Yasuhiro Nagai *Promoted	Division CEO, Regional Officer	Machinery, Energy & Project Division, Emerging Regions	Division COO, Regional Officer	Machinery, Energy & Project Division, Energy Plant SBU, Emerging Regions
Hiroshi Tominaga	CSO, Regional CEO	Chief Officer Responsible for Tokyo Head Office, Chief Officer Responsible for Global Strategy and Management, Chief Officer Responsible for CDTO, Chief Officer Responsible for CHRO, Officer Responsible for Japan Regional Strategy & Coordination, Europe, Emerging Regions	CSO, CDTO	
Mitsuhiro Tsubakimoto	Regional CEO	Asia Pacific, President of Toyota Tsusho Asia Pacific Pte. Ltd.	Division CEO	Chemicals & Electronics Division
Toshimitsu Imai *Promoted	CDTO, Division COO, Regional Officer	Africa Division, Mobility SBU, Africa	Division COO, Regional Officer	Africa Division, Automotive SBU, Africa
Akihiro Sago *Promoted	Regional CEO	North America, President of Toyota Tsusho America, Inc.	Regional Officer, Company President	North America, President of Toyota Tsusho America, Inc.
Shigeru Harada *Promoted	Division CEO	Automotive Division	Division COO	Automotive Division, Multi Brands SBU
Akio Hamada *Promoted	Division CEO	Chemicals & Electronics Division	Regional Officer, Company President	East Asia, President of Toyota Tsusho (Shanghai) Co., Ltd.

- ※CEO : Chief Executive Officer
- CSO : Chief Strategy Officer
- CDTO : Chief Digital & Technology Officer
- COO : Chief Operating Officer
- CHRO : Chief Human Resources Officer

2. Executive Officer (As of April 1)

Executive Officer (Changed only (does not include department changes), 8 Members)

Name	New Position	New Field in Charge	Current Position	Current Field in Charge/ Current Organization
Shigeki Maeda	Regional Officer, Company President	Asia Pacific, President of Toyota Tsusho (Thailand) Co., Ltd., President of Toyota Tsusho Thai Holdings Co. Ltd.	Division COO	Global Parts and Logistics Division, Global Parts SBU
Haruyuki Hattori	Regional Officer, Company President	North America, President of Toyota Tsusho Mexico, S.A. de C.V.	Division COO	Food & Consumer Services Division, Food & Agribusiness SBU
Shiro Irikawa	Division COO	Automotive Division, Multi Brands SBU	Division COO	Automotive Division, Value Chain SBU
Yuichi Kanazawa	Division COO	Global Parts and Logistics Division, Global Parts SBU	Regional Officer, Company President	Asia Pacific, President of Toyota Tsusho India Private Ltd., Chief Rep. of Colombo Office
Tatsuya Hirata	Division COO	Machinery, Energy & Project Division, Energy Solutions SBU, Infrastructure Solutions SBU	Division COO	Machinery, Energy & Project Division, Power Project SBU
Takuro Akasaka *New	Division COO	Automotive Division, Value Chain SBU	General Manager	Automotive Customer Service Department
Shinichiro Otsuka *New	Division COO, Regional Officer	Africa	General Manager	Toyota Africa Automotive Department
Shigeharu Kato *New	Division COO	Food & Consumer Services Division, Food & Agribusiness SBU	General Manager	Agribusiness Department 2

3. Retiring Senior Executive Officer / Executive Officer (On March 31)

Retiring Senior Executive Officer (4 People)

Name	Current Position	Current Field in Charge
Hideki Yanase*	Executive Vice President, Regional CEO	Assistant to President, Chief Officer Responsible for Tokyo Head Office, Chief Officer Responsible for Global Strategy and Management, Officer Responsible for Japan Regional Strategy & Coordination, North America, Europe, Emerging Regions
Toshiro Hidaka	Division CEO	Machinery, Energy & Project Division, Officer Responsible for Global Strategy and Management
Shizuka Hayashi	Regional CEO	Asia Pacific, President of Toyota Tsusho Asia Pacific Pte. Ltd.
Masato Yamanami	Division CEO	Automotive Division

*Continues as a Representative Director

Retiring Executive Officer (2 People)

Name	Current Position	Current Field in Charge
Kiyoyoshi Oba	Regional Officer, Company President	Asia Pacific, President of Toyota Tsusho (Thailand) Co., Ltd., President of Toyota Tsusho Thai Holdings Co. Ltd.
Satoshi Suzuki	Regional Officer, Company President	North America, President of Toyota Tsusho Mexico, S.A. de C.V.

4. General Managers et.al. (As of April 1)

(Changed only, 44 people)

Division/ Region	New Organization	New title	Name	Current Organization	Current title
Metals	Automotive Metal Sheet Products Department 2	General Manager	Kazuhiko Ichikawa	Automotive Metal Sheet Products Department 3	General Manager
	Automotive Metal Sheet Products Department 3	General Manager	Takaaki Miyamoto	Automotive Metal Sheet Products Department 2	General Manager
	East-Japan Steel Products Department	General Manager	Satoshi Hashimoto	Automotive Metal Sheet Products Department 1, Specialty Steel Stainless Group	Manager
	Metal Products Business Department	General Manager	Hidekazu Sugahara	Metal Products Trading Department	General Manager
	Resources Development Department	General Manager	Yasuo Matsuoka	Toyotsu Smelting Technology Mexico, S.A. de C.V.	—
Global Parts & Logistics	Global Parts Department 1	Deputy General Manager	Junmin Zhao	Toyota Tsusho (Thailand) Co., Ltd.	—
	Eastern Japan Global Parts Department	General Manager	Masashi Yasui	Global Parts Department 4	General Manager
	Accessory Business Development Department	General Manager	Yoichi Mizuta	Toyota Tsusho America Inc.	—
Automotive	Americas & Europe Automotive Department	General Manager	Tetsuro Sato	Asia, Oceania & Middle East Automotive Department, Dealer Group	Manager
	Asia, Oceania & Middle East Automotive Department	General Manager	Joewono Hendra	Toyota Tsusho Asia Pacific Pte. Ltd.	—
Machinery, Energy & Project	Machinery, Energy & Project Planning Department	General Manager	Takao Tomita	Toyota Tsusho (Thailand) Co., Ltd.	—
	Power & Drive Train Machinery Department	General Manager	Yuji Makino	Toyota Tsusho (Guangzhou) Co., Ltd.	—
	Next Mobility Machinery Department	General Manager	Masashi Ikuta	Industrial Machinery Department, Product Development & Sales Group	Manager
	Power Project Planning and Asset Management Department	General Manager	Toshiyuki Ishikuro	The Tokyo Electric Generation Company (secondment)	—
	Energy Solutions Development Department	General Manager	Raiko Suzuki	Power Solution Development Department, Renewable Energy Management Group	Manager
	Infrastructure Solutions Development Department	General Manager	Koji Yoshikawa	Energy Solutions Department	General Manager
	Energy Infrastructure Project Department	General Manager	Tokuji Koyama	Cairo Liaison Office	General Manager
Chemicals & Electronics	Automotive Materials Project Development Department	General Manager	Yasuhiro Fujii	Organic Chemical-Strategy & Management Department, Chemicals Strategy and Management Group	Manager
	Industrial Chemicals Department	General Manager	Hiroyuki Shio	Toyota Tsusho Vietnam Company Ltd.	—
	Organic Chemical-Strategy & Management Department	General Manager	Takashi Sato	Automotive Materials Project Development Department	General Manager

	Software First Department	General Manager	Takamichi Kono	Next Mobility Electronics Business Department	General Manager
Food & Consumer Services	Agribusiness Department	General Manager	Yoshito Manda	Agribusiness Department 1	General Manager
	Food Materials Department	General Manager	Masashi Hirata	Food Business Department	General Manager
	Food Marketing Department	General Manager	Chiaki Onozuka	Agriculture & Aquaculture Business Development Department	General Manager
	Medical Business Project Department	General Manager	Takeshi Nakajima	Life and Community Strategy Department, Medical Business Project Group	Manager
Corporate	External Affairs Department	General Manager	Hiroki Namikawa	Energy Infrastructure Project Department	General Manager
	Next Mobility Development Department	Deputy General Manager	Kohei Kurata	Next Mobility Development Department, E-Mobility·VPP Group	Manager
	Next Technology Fund Department	General Manager	Kenji Yamanaka	Next Mobility Development Department, Business Innovation Group	Manager
	Business Accounting Department	General Manager	Yoshiaki Shinoda	Accounting Department, Consolidated Accounting Group	Manager
	Finance Department	General Manager	Jun Shiratori	Finance Department, Strategic Financing Group	Manager
	Customer Strategy & Coordination Department	General Manager	Takahiro Sakai	Toyota Tsusho (Tianjin) Co., Ltd.	—
	Audit Department	General Manager	Kazuhiro Uchiyama	Machinery, Energy & Project Planning Department	General Manager
	Niigata Branch	General Manager	Yoshinori Yamamoto	Metal Products Trading Department, Metal Products Trading Group 2	—
	Shikoku Branch	General Manager	Hiroaki Takahashi	Logistics Business Department, Logistics Planning and Development Group	—
Emerging Regions	Tehran Liaison Office	General Manager	Takeshi Sugimoto	Tehran Liaison Office	—
	Amman Liaison Office Baghdad Branch (Additional Post)	General Manager	Hideki Okada	Industrial Machinery Department, Construction Equipment & ODA Group	—
	Cairo Liaison Office	General Manager	Hidenori Saito	Power Project Planning And Asset Management Department	General Manager
	Tel-Aviv Representative Office	General Manager	Tomonori Nakamura	Information Technology Business Department, Overseas Infrastructure Group	Manager
East Asia	Toyota Tsusho (Tianjin) Co., Ltd.	President	Takayuki Arai	Accessory Business Development Department	General Manager
	Toyota Tsusho (Shanghai) Co., Ltd.	President	Takashi Kitao	Toyota Tsusho (Shanghai) Co., Ltd.	—
	Toyota Tsusho (Guangzhou) Co., Ltd. Toyota Tsusho (H.K.) Corporation Limited (additional post)	President, Managing Director (additional post)	Toshio Ushiyama	Toyota Tsusho M&E (Tianjin) Co., Ltd.	—

Asia Pacific	Jakarta Liaison Office	General Manager	Hiroyuki Yazawa	Energy Infrastructure Project Department, Transportation Infrastructure Group	Manager
	Toyota Tsusho India Private Ltd., Colombo Office (additional post)	Managing Director, Chief Rep. (additional post)	Hiroshi Yanagisawa	Toyota Tsusho India Private Ltd.	—
Europe	Toyota Tsusho Rus LLC	General Manager	Yugo Narita	Toyota Tsusho Rus LLC	—