

Notice of Changes to Officer System and Structure, Organizational Restructuring, and Personnel Changes

2019 -3-7

Toyota Tsusho Corporation (head office: Nagoya City; President & CEO: Ichiro Kashitani) announces that the Board of Directors today adopted a resolution approving the following changes to the officer system and structure, organizational restructuring, and personnel changes effective April 1, 2019.

Toyota Tsusho also announces that the Board of Directors decided on the directors and Audit & Supervisory Board members to be submitted to the 98th Ordinary General Meeting of Shareholders scheduled for June 25, 2019 and the representative directors to be approved by resolution of the Board of Directors on the same day as set forth below.

I. Changes to the officer system and structure

1. Overview of Top Management
2. Overview of Operating Officer
3. New Management/Operating Structure

II. Organizational changes

1. Organizational changes of business divisions (SBU)
2. Reorganization of departments

III. Personnel changes

1. Top Management (as of April 1)
2. Operating Officer (as of April 1)
3. Retiring Executive officers (as of March 31)
4. General Managers et al. (as of April 1)
5. Directors and Audit & Supervisory Board members (effective as of the ordinary general shareholders meeting in June)
 - 1) Newly appointed directors
 - 2) Newly appointed Audit & Supervisory Board members
 - 3) Retiring directors
 - 4) Retiring Audit & Supervisory Board members

* The Director and Audit & Supervisory Board member structure after the ordinary general shareholders meeting in June

I. Changes to the officer system and structure

Discontinuous changes, referred to as the “fourth industrial revolution,” centered on new technologies such as AI and the Internet of Things (IoT) are currently taking place in industry. The automobile industry, the core of Toyota Tsusho’s business, is undergoing a structural transformation said to be a once-in-a-century change. In order to respond to these changes in the business environment, Toyota Tsusho will implement changes to the officer system and structure for the following purposes: (I) Streamline the management structure; (II) Improve the quality of decision-making relating to management; (III) Appoint young human resources as Top Management Members; and (IV) Respond to globalization.

Companywide Management Structure

I. Streamline the management structure

- Clarify which of the current officers are top management members with responsibility for companywide management
- Eliminate job titles (senior managing officer, managing officer, executive officer) and integrate job roles and job titles
- Business execution will be performed by Operating Officers and department managers

II. Improve the quality of decision-making relating to management

- Top Management will comprise member of the board, division CEOs, and regional CEOs

III. Appoint young human resources as Top Management Members

- Job titles (senior managing officer, managing officer, executive officer) will be eliminated so that optimal human resources can be appointed regardless of seniority-based factors

IV. Respond to globalization

- Clarify the executive responsibility of each position
- Adopt titles that are easily understood from a global perspective

1. Overview of Top Management

(1) New establishment of “Top Management”

Top Management: A group of members with managerial responsibility from a companywide perspective

Members: Chairman, president & CEO, vice presidents, CXOs (CTO, CSO, CIO, CFO, CCO, CAO), * division CEOs, regional CEOs

(2) Adopt titles that are easily understood from a global perspective

Chief division officer → Division CEO
Chief regional officer → Regional CEO

2. Overview of Operating Officer

(1) New establishment of “Operating Officer”

Operating Officer: A person responsible for the execution of business in each area, candidates for management executive positions. Operating Officers and General Managers in departments will be responsible for the execution of business in each division (SBU), region, and the significant subsidiaries

Members: Division COOs, company presidents (of the significant subsidiaries), assistants to regional CEOs

- (2) Adopt titles that are easily understood from a global perspective
 - Deputy Chief Division Officer → Eliminated
 - Division Officer → Division COO, assistant to CXO
 - Senior General Manager → Division COO
 - Regional Officer → Assistant to Regional CEO

(3) New establishment of Company Presidents

Company presidents of the significant subsidiaries will oversee the execution of business overall and make decisions on important company operational matters.

However, company presidents will work closely with CEO and COO of the division with which the company is affiliated and with the regional CEO to carry out efficient consolidated operations.

*CTO: Chief Technology Officer, CSO: Chief Strategy Officer, CIO: Chief Information Officer, CFO: Chief Financial Officer, CCO: Chief Compliance Officer, CAO: Chief Administrative Officer

3. New Management/Operating Structure

Please refer to the attached "Officer Structure Diagram."

II. Organizational Changes

1. Organizational changes of business divisions (SBU)

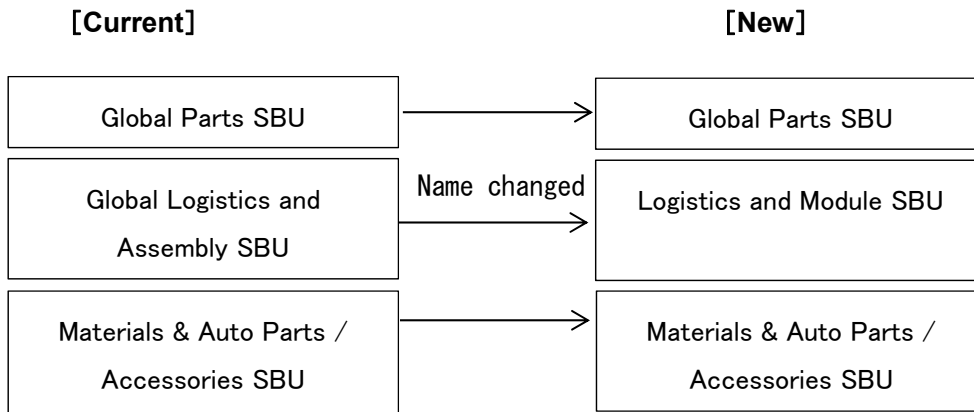
※SBU・・・Strategic Business Unit

(1) Metals Division

No change

(2) Global Parts & Logistics Division

Name changed



(3) Automotive Division

No change

(4) Machinery, Energy & Project Division

No change

(5) Chemicals & Electronics Division

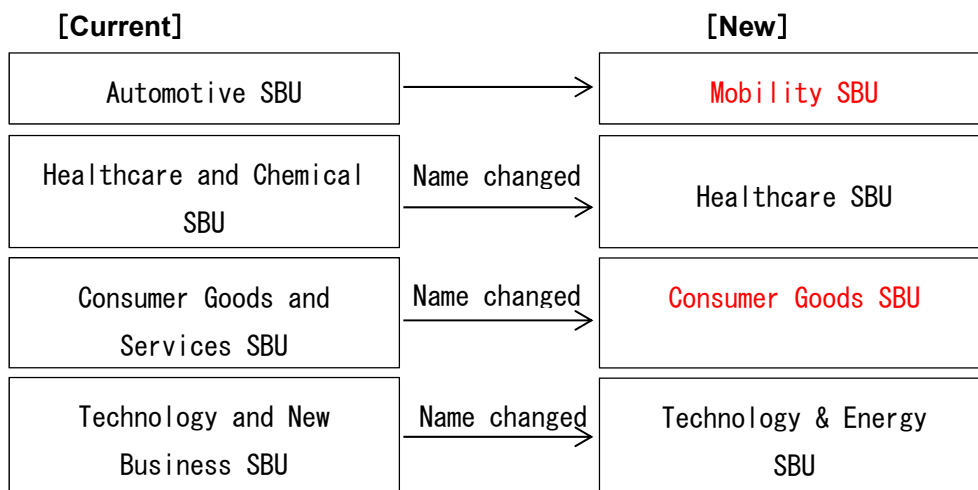
No change

(6) Food & Consumer Division

No change

(7) Africa Division

Name changed



2. Department changes (As of April 1)

New departments, reorganized departments and name changes (shows changes only)

Division	New Department Name	Current Department Name	Change
Global Parts & Logistics Division	SCM Functional Department	Production & Logistics Functional Management Department	Name changed
	Module Business Department	Parts Assembly Business Department	Name changed
	Functional Materials & Safety Business Department	Industrial Materials & Products Department	Name changed
Automotive Division	Automotive Value Chain Business Department	Automotive Business Innovation Department	Name changed
Chemicals & Electronic Division	Automotive Materials Project Development Department	Global Automotive Materials Department 1	Function integration
		Global Automotive Materials Department 2	
	Global Automotive Materials Department	Global Automotive Materials Department 1	Function integration
		Global Automotive Materials Department 2	
	Organic Chemical, Strategy & Management Department	Chemicals Strategy & Management Department	Name changed
Food & Consumer Services Division	Life Style Department	Apparel Business Department	Name changed
Africa Division	Africa Planning Department	Africa Planning Department	Function integration
		Africa Business Development Department	Function integration
Administrative Unit	CFO	Finance Department	Enterprise Risk Management Department
		Investment and Credit Department	
	Enterprise Risk Management Department	Split	
	CCO CAO	Enterprise Risk Management Department	Newly created/Partly transferred
		Global Human Resource Department	Partly transferred
General Affairs Department			
		Global Human Resources & General Affairs Department	Split

III. Personnel Changes

1. Top Management (As of April 1)

Top Management (16 members)

Name	Position	New Field in Charge	Current Field in Charge
Jun Karube	Chairman		
Ichiro Kashitani	President & CEO	CEO	CEO
Minoru Murata *Promoted	Executive Vice President, Regional CEO CTO	Assistant to President, Officer Responsible for Tokyo Head Office, Chief Officer Responsible for Japan Regional Strategy & Coordination, North America Audit Department	Chief Division Officer of Metal Division, Chief Regional Officer for North America Metal Planning Department, Customer Coordination
Hideki Yanase *Promoted	Executive Vice President Regional CEO	Assistant to President, Chief Officer Responsible for Tokyo Head Office, Chief Officer Responsible for Global Strategy and Management Officer Responsible for Japan Regional Strategy & Coordination, Europe, Emerging Regions	Chief Regional Officer for Asia & Oceania President of Toyota Tsusho Asia Pacific Pte. Ltd.,
Toshiro Hidaka	Division CEO	Machinery, Energy & Project Division Officer Responsible for Global Strategy and Management Machinery, Energy & Project Planning Department	Chief Division Officer of Machinery, Energy & Project Division Machinery, Energy & Project Planning Department
Richard Bielle	Division CEO Regional CEO	Africa Division Africa President of CFAO	Chief Division Officer of Africa Division Automotive SBU Chief Regional Officer for Africa Regional Officer for Africa President of CFAO
Takahiro Kondo	Regional CEO	East Asia Representative of East Asia Region, President of Toyota Tsusho (China) Co., Ltd. Chief Rep. of Beijing Office	Chief Regional Officer for East Asia East Asia Regional Strategy and Management Department, Representative of East Asia Region, President of Toyota Tsusho (China) Co., LTD, Regional Officer for East Asia Chief Rep. of Beijing Office
Shizuka Hayashi *Promoted	Regional CEO	Asia & Oceania President of Toyota Tsusho Asia Pacific Pte. Ltd.	Deputy Chief Division Officer of Metal Division, Senior General Manager (Metal Products SBU) West-Japan Steel Products Department, East-Japan Steel Products Department, Steel Products Sales Department,

			Metal Products Trading Department
Mitsuhiro Tsubakimoto	Division CEO	Chemical & Electronics Division Chemical & Electronics Planning Department	Chief Division Officer of Chemical & Electronics Division Chemical & Electronics Planning Department
Jun Eyama	Division CEO	Global Parts and Logistics Division Global Parts and Logistics Planning Department	Chief Division Officer of Global Parts and Logistics Division Global Parts and Logistics Planning Department
Yasuhiro Nagai	CCO CAO	Legal Department, Secretarial Department, Global Human Resources Department, General Affairs Department, Enterprise Risk Management Department	CCO, CAO, Kaizen & Cost Reduction Department, Global Safety & Environmental Promotion Department, Global Logistics Management Department, Enterprise Risk Management Department, Legal Department, Secretarial Department, Global Human Resources & General Affairs Department, Crisis Management & BCM Department
Hiroshi Tominaga	CSO CIO Assistant to CTO	Chief Officer Responsible for Public Affairs, Corporate Planning Department, IT Strategy Department	CSO, CIO Chief Officer Responsible for Public Affairs, Corporate Planning Department, IT Strategy Department
Hideyuki Iwamoto	CFO	Accounting Department, Business Accounting Department, Finance Department, Investment and Credit Department	CFO Accounting Department, Business Accounting Department, Finance Department
Masato Yamanami	Division CEO	Automotive Division	Chief Division Officer of Automotive Division Customer Coordination
Naoji Saito *Promoted	Division CEO	Metal Division Metal Planning Department	Division Officer of Metal Division President of Toyota Steel Center Co., LTD.
Hiroshi Yonenaga *Promoted	Division CEO	Food & Consumer Services Division Food & Consumer Services Planning Department	Division Officer of Global Parts & Logistics Division, Senior General Manager (Materials & Auto Parts / Accessories SBU) Business Development Department, Accessory Business Development Department, Automotive Parts Department, Industrial Materials & Products Department

2. Operating Officer (As of April 1)

Operating Officer (33 Members)

Name	Position	New Field in Charge	Current Field in Charge
Kiyoyoshi Oba	Regional Officer	Asia & Oceania	Asia & Oceania
	Company President	President of Toyota Tsusho (Thailand) Co., Ltd.	President of Toyota Tsusho (Thailand) Co., Ltd.
Yoshihiro Inoue	Division COO	Machinery, Energy & Project Division Power Project SBU, Energy Plant SBU Energy Business Development Department, Energy Trade Department, Energy Infrastructure Project Department	Division Officer of Machinery, Energy & Project Division, Senior General Manager (Power Project SBU), Senior General Manager (Energy Plant SBU)
	Regional Officer	Emerging Regions	Power Project Development Department, Renewable Power Project Development Department, Energy Business Development Department, Energy Trade Department, Energy Infrastructure Project Department, Regional Officer for Emerging Regions
Hideyuki Inazumi	Company President	President of Eurus Energy Holdings Corporation	Division Officer of Machinery, Energy & Project Division President of Eurus Energy Holdings Corporation
Toshimitsu Imai	Division COO	Africa Division Automotive SBU, Africa Planning Department, Toyota Africa Automotive Department, Africa Business Development Department,	Division Officer of Africa Division, Toyota Africa Automotive Department, Africa Automotive Department,
	Regional Officer	Africa	
Kazumasa Kimura	Africa Division New Business Development COO	Africa Planning Department	Division Officer of Africa Division,
Satoshi Suzuki	Regional Officer	North America	President of Toyota Tsusho Mexico, S.A. DE C.V.
	Company President	President of Toyota Tsusho Mexico, S.A. DE C.V.	Regional Officer for North America
Motoya Hayata	Regional Officer	Emerging Regions	Division Officer of Food & Consumer Services Division
	Company President	Chairman & CEO of NovaAgri	Chairman & CEO of NovaAgri, Regional Officer for Emerging Regions
Naoyuki Hata	Division COO	Metal Division Automotive Metal Products SBU Automotive Metal Products Department 1, Automotive Metal Products Department 2, Automotive Metal Products Department 4, West-Japan Steel Products Department, Japan Regional Strategy & Coordination	Division Officer of Metal Division, Senior General Manager (Automotive Metal Products SBU) Automotive Metal Products Department 1, Automotive Metal Products Department 2, Automotive Metal Products Department 3, Automotive Metal Products Department 4, Japan Regional Strategy & Coordination
Atsushi Aoki	Company President	President of NEXTY Electronics Corporation	Division Officer of Chemical & Electronics Division President of NEXTY Electronics Corporation

Haruyuki Hattori	Division COO	Food & Consumer Services Division Agribusiness SBU, Food SBU Agribusiness Department 1, Agribusiness Department 2, Osaka Agribusiness Department, Food Department	Division Officer of Food & Consumer Services Division Senior General Manager (Agribusiness SBU), Senior General Manager (Food SBU) Agribusiness Department 1, Agribusiness Department 2, Osaka Agribusiness Department, Food Department
Shigeki Maeda	Division COO	Global Parts and Logistics Division Global Parts SBU Global Parts Department 1, Global Parts Department 2, Global Parts Department 3, Global Parts Department 4, Japan Regional Strategy & Coordination	Division Officer of Global Parts & Logistics Division, Senior General Manager (Global Parts SBU) Global Parts Department 1, Global Parts Department 2, Global Parts Department 3, Global Parts Department 4, Global Parts Business Management Department, Japan Regional Strategy & Coordination
Akihiro Sago	Regional Officer Company President	North America President of Toyota Tsusho America, Inc.	President of Toyota Tsusho America, Inc. Regional Officer for North America
Kazuyuki Urata	Division COO	Chemical & Electronics Division Automotive Materials SBU, Chemicals SBU Automotive Materials Project Development Department, Global Automotive Materials Department, Next Mobility Chemical Materials Department, Basic Chemicals Department, Industrial Chemicals Department, Inorganic Chemicals Department, Organic Chemical Strategy & Management Department	Division Officer of Chemical & Electronics Division, Senior General Manager (Chemicals SBU) Basic Chemicals Department, Industrial Chemicals Department, Inorganic Chemicals Department, Chemicals Strategy & Management Department General Manager of Chemical Strategy & Management Department
Yasuhiro Kakiyama	Division COO Assistant to CTO	Chemical & Electronics Division Electronics & Multimedia SBU Electronics Department, Information Technology Business Department, Next Mobility Electronics Business Department, Customer Coordination,	Division Officer of Chemical & Electronics Division, Senior General Manager (Electronics & Multimedia SBU) Electronics Department, Information Technology Business Department, Next Mobility Electronics Business Department,
Hiroki Nakayama	Division COO Regional Officer	Global Parts and Logistics Division Logistics and Module SBU SCM Functional Department, Logistics Business Department, Module Business Department Asia & Oceania	Division Officer of Global Parts & Logistics Division, Senior General Manager (Global Logistics and Assembly SBU) Logistics Business Department, Parts Assembly Business Department, Production & Logistics Functional Department Regional Officer for Asia & Oceania
Shiro Irikawa	Division COO	Automotive Division Dealer Business SBU, Value Chain SBU Dealer Business Department, China Automotive Department, Automotive	Division Officer of Automotive Division, Senior General Manager (Dealer Business SBU) Dealer Business Department, China

		Customer Service Department, Automotive Value Chain Business Department	Automotive Department, Automotive Business Innovation Department
Tatsuya Watanuki	Regional Officer Assistant to CTO	East Asia Officer Responsible for Global Strategy and Management, China and East Asia Department	Officer Responsible for Global Strategy and Management, New Business Development Department, Next Mobility Development Department, Next Technology Fund Department General Manager of Next Technology Fund Department
Mamoru Akiyama	Regional Officer	Emerging Regions Officer Responsible for Public Affairs, Officer Responsible for Global Strategy and Management Kaizen & Cost Reduction Department, Global Logistics Management Department, Global Safety & Environmental Promotion Department, Public Affairs Department, Global Strategy and Management Department General Manager of Public Affairs Department	Officer Responsible for Public Affairs, Officer Responsible for Global Strategy and Management Public Affairs Department, Global Strategy and Management Department, Regional Officer for Europe, Regional Officer for Emerging Regions General Manager of Public Affairs Department
Tetsuya Ezumi	Division COO	Automotive Division Toyota SBU Americas & Europe Automotive Department, Asia Oceania & Middle East Automotive Department, KD Business Department	Division Officer of Automotive Division, Senior General Manager (Toyota SBU) Americas & Europe Automotive Department, Asia Oceania & Middle East Automotive Department
Yuichi Kanazawa	Regional Officer Company President	Asia & Oceania President of Toyota Tsusho India Private Ltd. Chief Rep. of Colombo Office	President of Toyota Tsusho India Private Ltd. Regional Officer for Asia & Oceania Chief Rep., of Colombo Office
Michael T. Lavender	Regional Officer	North America Senior Vice President of Toyota Tsusho America, Inc.	Senior Vice President of Toyota Tsusho America, Inc. Regional Officer for North America
Kosuke Kunihiro	Division COO	Machinery, Energy & Project Division Machinery SBU Power & Drive Train Machinery Department, Automotive Body Machinery Department, Industrial Machinery Department, Next Mobility Machinery Business Department, Construction Machinery & Project Department, Customer Coordination Branch Manager of Toyota Branch	Division Officer of Machinery, Energy & Project Division, Senior General Manager (Machinery SBU) Power & Drive Train Machinery Department, Automotive Body Machinery Department, Industrial Machinery Department, Construction Machinery & Project Department, Next Mobility Machinery Business Department Branch Manager of Toyota Branch
Shigeru Harada	Division COO	Automotive Division Multi Brands SBU, Automotive Planning Department, Material Handling Machinery Department, Hino Automotive	Division Officer of Automotive Division, Senior General Manager (Multi Brands SBU) Automotive Planning Department, Hino

		Department, Motor Brands Development Department, Customer Coordination	Automotive Department, Motor Brands Development Department
Akio Hamada	Regional Officer Company President Assistant to CTO	East Asia President of Toyota Tsusho (Shanghai), Co., Ltd. Chief Regional Officer of Next Mobility for East Asia	President of Toyota Tsusho (Shanghai), Co., LTD., Chief Regional Officer of Next Mobility for East Asia
Koji Minami	Division COO Regional Officer	Africa Division Technology & Energy SBU, Healthcare SBU, Consumer Goods SBU Vice President of CFAO Africa	Division Officer of Africa Division, Senior General Manager (Automotive SBU) Senior General Manager (Technologies and New Business SBU) Senior General Manager (Healthcare and Chemical SBU) Senior General Manager (Consumer Goods and Services SBU) Vice President of CFAO, Africa Planning Department, Africa Automotive Department, Africa Business Development Department
Masaharu Katayama *New	Division COO	Metal Division Metal Resources SBU, Metal Resources Department 1, Metal Resources Department 2, Metal Trading Department, Resource Development Department	Resource Development Department General Manager
Futoshi Horisaki *New	Division COO	Global Parts and Logistics Division Materials & Auto Parts/Accessories SBU Business Development Department, Global Parts Business Management Department Accessory Business Development Department, Automotive Parts Department, Functional Materials & Safety Business Department,	Vice President of Toyota Tsusho America, Inc.
Kazunori Sato *New	Company President	President of Toyotsu Chemiplas Corporation	President of Toyotsu Chemiplas Corporation
Toshiyuki Azeo *New	Division COO	Food & Consumer Services Division Insurance SBU, Life Style SBU Insurance Department, Life Style Department, Living & Healthcare Department, Customer Coordination	Toyota Tsusho (Thailand) Director &EVP
Jun Karato *New	Assistant to CTO	New Business Development Department, Next Mobility Development Department, Next Technology Fund Department General Manager of Next Mobility Development Department, General Manager of Next Technology Fund Department	Next Mobility Chemical Materials Department General Manager
Tatsuya Hirata	Division COO	Machinery, Energy & Project Division Power Project SBU, Power Project Development Department,	CFAO

*New		Renewable Power Project Development Department	
Takashi Hirobe	Regional Officer Company President	Europe President of Toyota Tsusho Europe S.A. President of Toyota Tsusho U.K. Ltd.	President of Toyota Tsusho Europe S.A. President of Toyota Tsusho U.K. Ltd.
*New			
Hiromasa Ishii	Division COO	Metal Division Metal Products SBU Automotive Metal Products Department 3, East-Japan Steel Products Department, Steel Products Sales Department, Metal Products Trading Department	Automotive Metal Products Department 4 General Manager
*New			

3. Retiring Executive officers (As of March 31)

Title	Name	Future Position	Current Assignment
Executive Vice President	Kuniaki Yamagiwa	Member of the Board	Assistant to President Officer Responsible for Tokyo Head Office Responsible for Special Tasks Assigned by President Chief Officer Responsible for Global Strategy a33nd Management Chief Regional Officer for Emerging Regions Responsible for Audit Department
Executive Vice President	Soichiro Matsudaira	Member of the Board	Assistant to President Chief Officer Responsible for Tokyo Head Office Officer Responsible for Japan Regional Strategy & Coordination Officer Responsible for Global Strategy and Management CTO
Executive Vice President	Yuichi Oi	Member of the Board	Assistant to President Chief Officer Responsible for Japan Regional Strategy & Coordination Officer Responsible for Global Strategy and Management
Senior Managing Executive Officer	Yoshiki Miura	-	Chief Division Officer of Food & Consumer Services Division Responsible for Food & Consumer Services Planning Department
Managing Executive Officer	Takeshi Matsushita	—	Deputy Chief Division Officer of Food & Consumer Services Division Senior General Manager (Insurance SBU, Life Style SBU) Responsible for Insurance Department, Apparel Business Department, Living & Healthcare Department
Managing Executive Officer	Toshio Araki	President of Toyota Steel Center Co., Ltd.	Division Officer of Metals Division Senior General Manager (Metal Resources SBU) Responsible for Metal Resources Department 1, Metal Resources Department 2, Metal Trading Department, Resources Development Department
Executive Officer	Hiroshi	—	Division Officer of Food & Consumer Services

	Tasaka		Division President of Fukusuke Corporation
Executive Officer	Masanori Kondo	Osaka Branch General Manager	Division Officer of Automotive Division Senior General Manager (Value Chain SBU) Responsible for Material Handling Machinery Department, Automotive Customer Service Department, KD Business Department
Executive Officer	Tetsuya Kamiya	Adviser of Daiichi Sekken Co., Ltd. (Plan to be appointed as President at the Shareholders Meeting of the Company)	Division Officer of Chemicals & Electronics Division Senior General Manager (Automotive Materials SBU) Responsible for Global Automotive Materials Department 1, Global Automotive Materials Department 2, NEXT Mobility Chemical Materials Department

4. General Managers et.al. (As of April 1)

(Changed only, 34 people)

Division/ Region	New Organization	New title	Name	Current Organization	Current title
Metals	Automotive Metal Products1	General Manager	Shinya Watanabe	Automotive Metal Products Department1	Group Leader
	Automotive Metal Products2	General Manager	Takaaki Miyamoto	Automotive Metal Products Department2	Group Leader
	Automotive Metal Products4	General Manager	Kazuhiko Ichikawa	Automotive Metal Products Department1	General Manager
	Resource Development Department	General Manager	Takeo Fujihara	Metal Planning Department	—
Global Parts & Logistics	Global Parts & Logistics Planning	General Manager	Taisuke Aoyama	Global Strategy and Management Department	—
	Global Parts Department 3	General Manager	Mitsuhiko Isawa	Global Parts Department 3	Group Leader
	Logistics Business Development	General Manager	Akihiro Endo	Toyota Tsusho America, Inc.	—
Automotive	Americas & Europe Automotive Department	General Manager	Hiroshi Kurihara	Americas & Europe Automotive Department	Group Leader
	China Automotive Department	General Manager	Masayuki Miwa	Automotive Planning Department	Group Leader
	Material Handling Machinery Department	General Manager	Akira Shida	Automotive Planning Department	Group Leader
	Automotive Customer Service Department	General Manager	Tomoyuki Maezawa	Automotive Customer Service Department	Group Leader
	Automotive Value Chain Business Department	General Manager	Takuro Akasaka	China Automotive Department	General Manager
Machinery, Energy & Project	Machinery, Energy & Project Division	General Manager	Kazuhiro Uchiyama	Accounting Department	General Manager
	Next Mobility Machinery Business Department	General Manager	Akihiro Koizumi	Toyotsu TEC Corporation	—
	Energy Business Development Department	General Manager	Koji Yoshikawa	Energy Business Development Department	Group Leader
Chemicals & Electronics	Next Mobility Chemical Materials Department	General Manager	Makoto Iyoda	Next Mobility Chemical Materials Department	Group Leader
	Automotive Materials Project Development Department	General Manager	Takashi Sato	Next Mobility Chemical Materials Department	Group Leader
	Organic Chemical, Strategy & Management Department	General Manager	Yoshichika Kanazawa	Toyotsu Chemiplas Corporation	—
Food & Consumer Service	Insurance Department	General Manager	Hiroyuki Kawakubo	Toyotsu Insurance Management Corporation	
	Toyotsu Insurance Management Corporation	Representative director (Remaining)			
	Life Style Department	General Manager	Yasumasa Fukuta	Apparel Business Department	Group Leader
Administrative Unit	Next Mobility Development Department	General Manager	Jun Karato	Next Mobility Chemical Materials Department	General Manager
	Next Technology Fund Department	General Manager			
	Public Affairs Department	Deputy General	Yuji Aihara	PT. Toyota Tsusho Indonesia	—

		Manager			
	Accounting Department	General Manager	Yasushi Aida	Accounting Department	Group Leader
	Investment and Credit Department	General Manager	Hiroyasu Yamada	Enterprise Risk Management Department	General Manager
	Secretarial Department	General Manager	Noriyoshi Kamiya	Global Human Resource & General Affairs Department	General Manager
	Global Human Resources Department	General Manager	Hisashi Okawa	Toyota Tsusho Asia Pacific Pte. Ltd.	—
	General Affairs Department	General Manager	Akira Morihata	Toyotsu Machinery Corporation	Executive Officer
	Osaka Branch	General Manager	Masanori Kondo	Automotive Division	Executive Officer
	Hokuriku Branch	General Manager	Masataka Okano	Regional Strategy & Coordination Department	—
-Region -					
Asia & Oceania	Jakarta Office	General Manager	Takashi Otsubo	Renewable Power Project Development Department	—
	Phnom Penh Office	General Manager	Satoshi Nishihara	Accessory Business Development Department	—
East Asia	Toyota Tsusho (Taiwan) Co., Ltd.	Vice President	Issei Hata	SDP Global Co., Ltd.	—
Emerging Regions	S.C. Toyota Tsusho Do Brasil Ltda.	President	Shigehiro Imai	Global Parts Department 3	General Manager
	Havana Office	General Manager	Toyokazu Tanaka	Hino Motors de Venezuela, C.A.	—

5. Member of the Board (planned for General Meeting of Shareholders in June)

1) New Members of the Board (2 people) ★:Representative Director

New title	Name	Title (as of April 1)
★Member of the Board	Minoru Murata	Executive Vice President
Member of the Board	Hideki Yanase	Executive Vice President

2) New Member of the Audit & Supervisory Board (1 person)

New title	Name	Current position
Audit & Supervisory Board Member	Tsutomu Takahashi	KPMG Azusa & Co. Vice Managing Partner

3) Retiring Members of the Board (3 people) ★:Representative Director

Name	Title (as of April 1)
Kuniaki Yamagiwa	★Member of the Board
Soichiro Matsudaira	★Member of the Board
Yuichi Oi	★Member of the Board

4) Retiring Members of the Audit & Supervisory Board (1 person)

Name	Title (as of April 1)
Kazunori Tajima	Audit & Supervisory Board Member

※Management Structure on the day following the General Meeting of Shareholders in June

Board of Directors (11)

Title	Name
★Chairman of the Board	Jun Karube
★Member of the Board President & CEO	Ichiro Kashitani
★Member of the Board	Minoru Murata
Member of the Board	Hideki Yanase
Member of the Board	Yasuhiro Nagai
Member of the Board	Hiroshi Tominaga
Member of the Board	Hideyuki Iwamoto
Member of the Board	Yoriko Kawaguchi
Member of the Board	Kumi Fujisawa
Member of the Board	Kunihito Koumoto
Member of the Board	Didier Leroy

<Ref.> Board of Directors as of April 1 (12)

Title	Name
★Chairman of the Board	Jun Karube
★Member of the Board President & CEO	Ichiro Kashitani
★Member of the Board	Kuniaki Yamagiwa
★Member of the Board	Soichiro Matsudaira
★Member of the Board	Yuichi Oi
Member of the Board	Yasuhiro Nagai
Member of the Board	Hiroshi Tominaga
Member of the Board	Hideyuki Iwamoto
Member of the Board	Yoriko Kawaguchi
Member of the Board	Kumi Fujisawa
Member of the Board	Kunihito Koumoto
Member of the Board	Didier Leroy

★: Representative Director

Audit & Supervisory Board Members (5)

Title	Name
Audit & Supervisory Board Member (Full-Time)	Yasushi Shiozaki
Audit & Supervisory Board Member (Full-Time)	Kazuo Yuhara
Audit & Supervisory Board Member	Shuhei Toyoda
Audit & Supervisory Board Member	Yuichiro Kuwano
Audit & Supervisory Board Member	Tsutomu Takahashi

<Ref> Audit & Supervisory Board Members as of April 1 (5)

Title	Name
Audit & Supervisory Board Member (Full-Time)	Yasushi Shiozaki
Audit & Supervisory Board Member (Full-Time)	Kazuo Yuhara
Audit & Supervisory Board Member	Shuhei Toyoda
Audit & Supervisory Board Member	Kazunori Tajima
Audit & Supervisory Board Member	Yuichiro Kuwano